

Harlequin Flexity Sprung Floor

Installation guide



A WORD ON SAFETY

- **Use tools in accordance with the manufacturer's instructions.**
- **Use appropriate personal protective equipment such as gloves, safety goggles and masks as appropriate.**
- **Work in a well-ventilated space when using adhesives and wear suitable protective footwear. Please note that boots and shoes with steel toe caps may mark the vinyl surface when laying.**
- **For comfort, you might want to wear kneepads.**
- **When cutting panels, work standing using a workbench or trestle.**

A. Preparation of site

To avoid any accidental damage, the site where your Harlequin floor is to be installed should be prepared before any panels are laid. The floor must be dry, clean and free of dust and debris.

The floor should be flat and smooth, with height deviations no greater than 5mm over 2m.

Any surface deviations should be filled with a suitable proprietary latex or similar levelling compound. Please ensure that the chosen product is compatible with your floor or substrate finish.

Ensure that the room is square. If the walls are out of alignment the Harlequin Flexity panels may need to be cut to fit.

The panels should be stored in the room where they will be laid for at least 24 hours before installation to allow them to acclimatise to the relative humidity.

Should further essential work be required on site, we strongly recommend that you protect your floor by covering the surface with hardboard or other effective material.

B. Tools required

You will require the following tools - these are not supplied by Harlequin.

- Tape measure
- Hammer or mallet
- Wooden block (for easing the boards into final position)
- Straight edge (600mm minimum)
- Pencil and notepad
- Power saw or hand saw to cut panels to size (Note: the blade must be able to cut a 18mm thick panel)
- Jigsaw cutter (for any curved or intricate detailed work)
- Sander and the appropriate grade of sandpaper
- Pull bar
- Set square
- 12mm packers

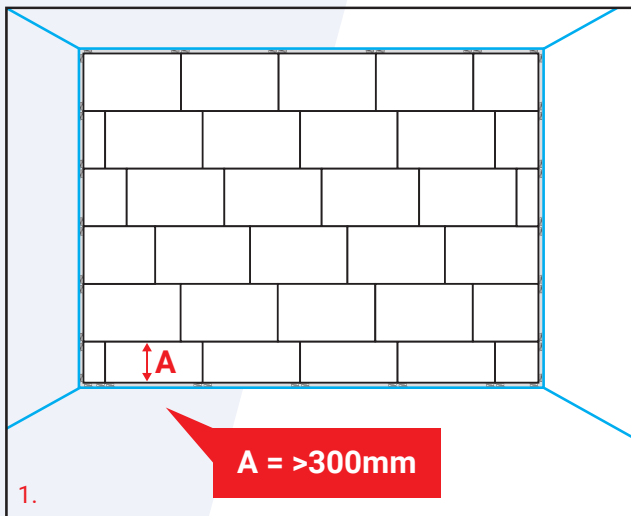
The following components are supplied by Harlequin

- Harlequin Flexity panels
- Timber spacer battens
- Screws for semi-permanent installation or wood glue for permanent installation.

C. Installation of Harlequin Flexity sprung floor panels

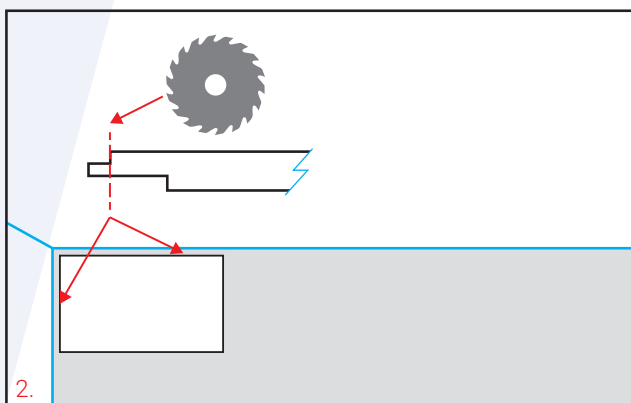
Harlequin Flexity panels should be glued together for permanent installation. For semi-permanent installation the panels can be screwed together using 18mm self-countersinking screws at 200mm intervals. Please contact our technical team for more information.

Before starting, carefully measure the length and width of the room to ensure that the last row will be wide enough to install. If the last row would be less than 300mm in width the panels of the first row should be cut lengthways to a suitable width. (See diagram 1). This will make installation easier.

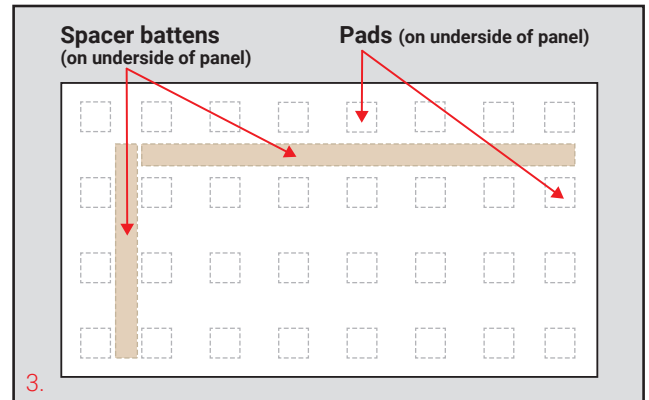


It is critical that the first row is laid accurately. If it is not straight the floor will be out of alignment.

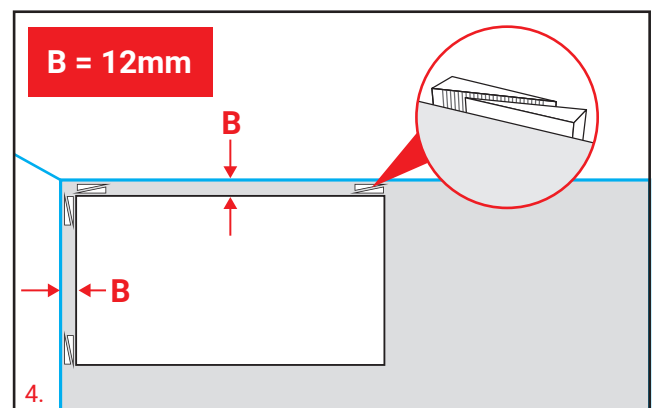
Begin the first row with a panel in the upper left-hand corner of the room. First saw off the tongue on both the long and the short sides that will be adjacent to the walls. (See diagram 2).



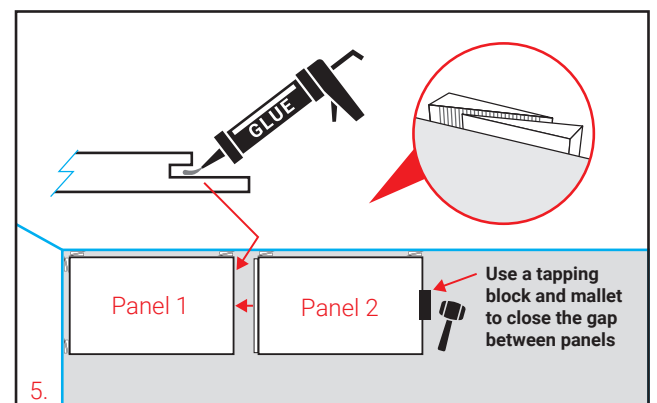
Then install a spacer batten to the underside of the panel inside the pads on the outside edges of the panel. (See diagram 3). Secure in place with screws or glue. This will stop deflection on those edges of the panel. Every edge that is adjacent to a wall should be treated in the same way.



Place 12mm packers between the wall and the panel, two on the long edge and two on the short edge. (See diagram 4). This will create an expansion gap and will help to keep the panels square within the room. Skirting can be installed when the floor is complete (once the packers are removed) to cover this gap if desired.

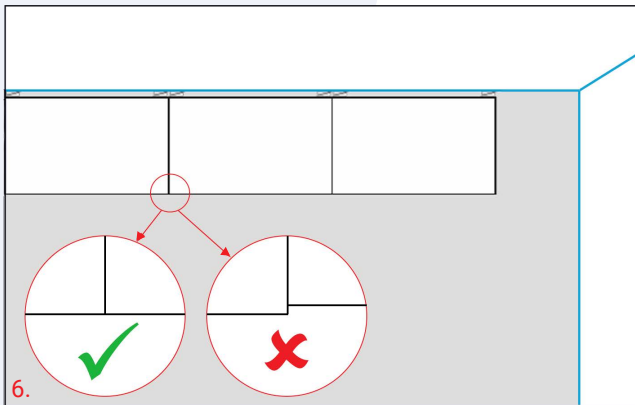


Now lay the second panel. First saw off the tongue and install the spacer batten to the underside of the edge that will be adjacent to the wall, as above. If permanent installation is required, apply glue into the groove on the short edge of panel 1 before assembly. (See diagram 5).



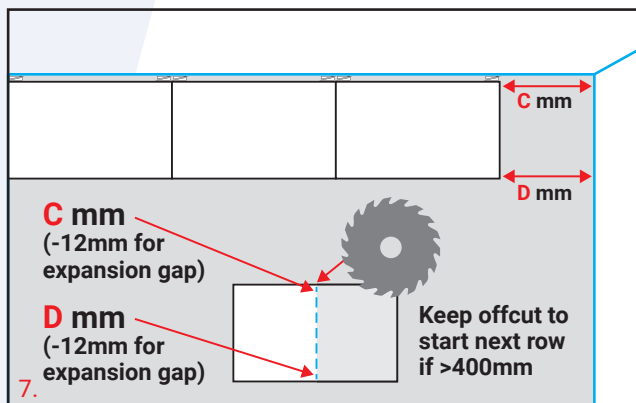
Slide panel 2 into place, remembering to place 12mm packers between the panel and the wall. If the fit is tight, use a tapping block and mallet to close the gap between the panels. (See diagram 5). It is very important that this panel lines up perfectly squarely with the first panel. (See diagram 6).

If semi-permanent installation is required, the panels should now be screwed together using 18mm self-countersinking screws at 200mm intervals.



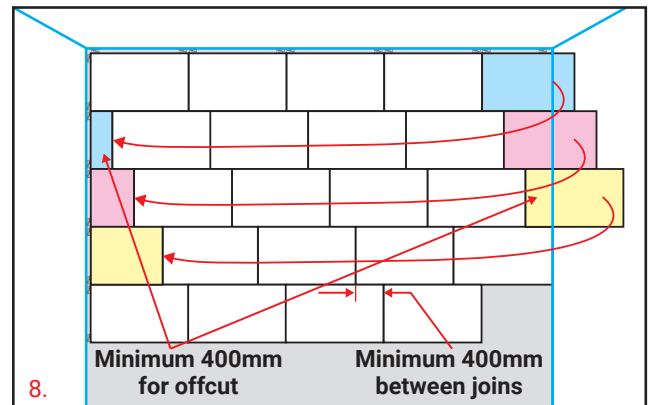
Continue laying panels in the first row as above.

Once you reach the end of the first row, measure from the panel to the wall from both corners of the panel. Remember to allow for the 12mm expansion gap. Mark these measurements on the edges of a new panel and draw a line to join them. (See diagram 7). Carefully cut along this line with a saw. Remove the tongue from the edge adjacent to the wall with a saw and install the spacer batten to the underside of the edges that will be adjacent to the walls.



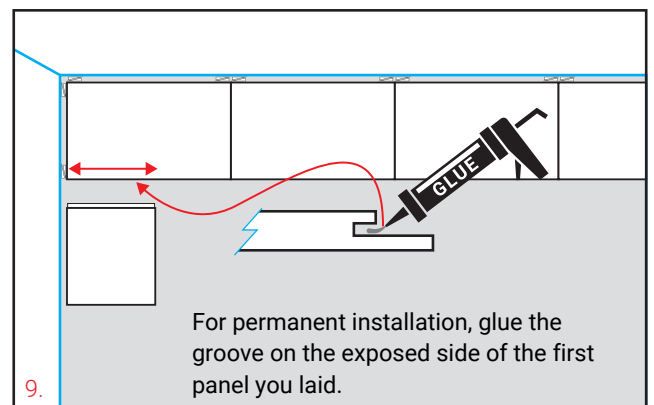
Place the last panel into position. A pull bar may be required to close the gap between the panels. Insert the 12mm packers to stop the panel moving.

If the offcut from the last panel of the first row is 400mm or more in length use this to start the second row. If it isn't, a new panel will need to be cut at least 400mm long to start the next row. If your room is the same length as a row of panels then the second row should be started using a panel sawn in half. Ensure that all header joints are at least 400mm apart. (See diagram 8).



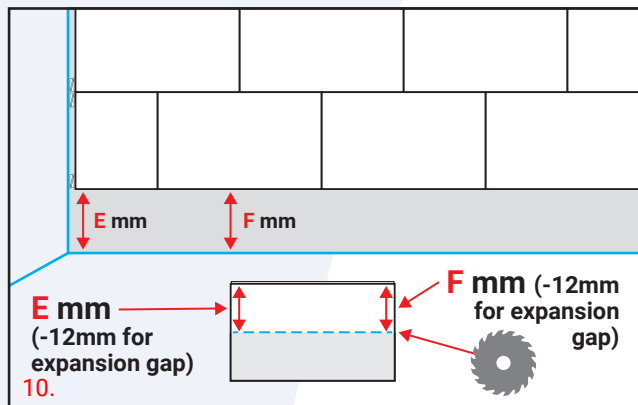
For permanent installation, glue the groove on the exposed side of the first panel you laid, but only the same length as the panel that you have just cut for the second row. (See diagram 9). Slide this panel into place, remembering to place 12mm packers between the panel and the wall.

For semi-permanent installation, the panels should now be screwed together as before

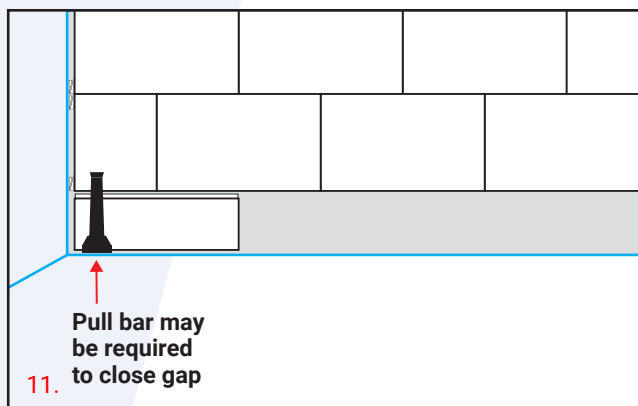


Continue in this way with rows of panels until you reach the other side of the other side of the room. It is very important to maintain alignment. (See diagram 6).

When you get to the last row, measure from panel to wall at both corners of the panel. Mark these measurements onto a new panel (allowing for the 12mm expansion gap) and cut the panel lengthways (see diagram 10) and slide it into position, applying adhesive first if required.



A pull bar may be required to close the gap between the panels. Insert 12mm packers into the expansion gap. (See diagram 11).



Lay the remaining panels of the last row as above. Note that the final panel will probably need to be cut on two edges and will require 12mm packers between the panel and both walls. If glue has been used, leave the packers in place until the glue has set, then remove them. The floor joints may require sanding to remove surplus glue before the top surface is laid.

PLEASE NOTE

Where panels need to fit around building features, such as pillars or radiator pipes, it will be necessary to place the panel and carefully mark the shape to be cut, including the required 12mm expansion gap. Cut out the shape using a saw and sandpaper the edges. This edge of the panel should be supported using the timber spacer battens.

D. Cleaning the floor

Before laying the Harlequin vinyl or wood top surface, the sprung floor panels should be swept and vacuumed clean.

If you are using Harlequin vinyl please refer to the relevant installation guide, available at www.harlequinfloors.com/downloads

PLEASE NOTE

Harlequin recommend using a professional floor laying contractor for the permanent installation of a vinyl performance or wood top surface.

If you would like further information, advice and samples please contact us on +61 (2) 9620 7770 or auscontact@harlequinfloors.com



HARLEQUIN
www.harlequinfloors.com